

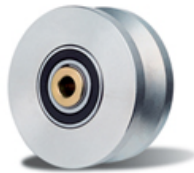
THE POWER WHEELS - SOLID STEEL V-GROOVE

The 4", 5" and 6" steel wheels are manufactured by a computer controlled lathe machine and made from solid, cold rolled steel. These wheels are designed for high traffic commercial sliding gate track applications. They can be used on heavy gates and never require any maintenance (there are no grease fittings). Power Wheels are 30% more efficient in torque transfer from wheels to operator than other wheels such as cast iron or plastic. The choice for your high traffic gates is simple ... "Power Wheels".



Model A H108

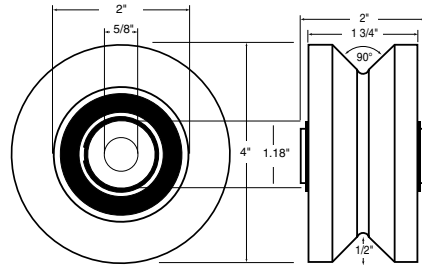
- Weight capacity: 3,000 lbs ea. wheel
- Shipping weight per wheel: 5 lbs
- Two 2" sealed bearings with 1" axle
- Includes: One .5" x 3.25" bolt w/ nut
- Finished with gold zinc plating



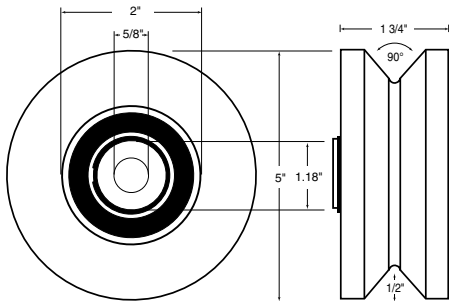
Model A H112

- Weight capacity: 3,000 lbs ea. wheel
- Shipping weight per wheel: 5 lbs
- Two 2" sealed bearings with 1" axle
- Includes: One .5" x 3.25" bolt w/ nut
- Heat treated and silver zinc plated

POWER WHEEL 4"



POWER WHEEL 5"

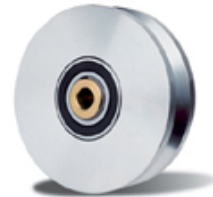
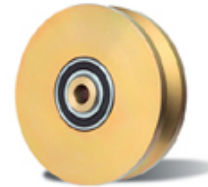


Model A H115

- Weight capacity: 4,000 lbs ea. wheel
- Shipping weight per wheel: 8.5 lbs
- Two 2" sealed bearings with 1" axle
- Includes: One .5" x 3.25" bolt w/ nut
- Finished with gold zinc plating

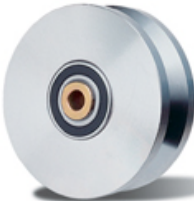
Model A H117

- Weight capacity: 4,000 lbs ea. wheel
- Shipping weight per wheel: 8.5 lbs
- Two 2" sealed bearings with 1" axle
- Includes: One .5" x 3.25" bolt w/ nut
- Heat treated and silver zinc plated



Model A H110

- Weight capacity: 5,000 lbs ea. wheel
- Shipping weight per wheel: 12.5 lbs
- Two 2.5" sealed bearings with 1" axle
- Includes: One .625" x 3.25" bolt w/ nut
- Finished with gold zinc plating



Model A H113

- Weight capacity: 5,000 lbs ea. wheel
- Shipping weight per wheel: 12.5 lbs
- Two 2.5" sealed bearings with 1" axle
- Includes: One .625" x 3.25" bolt w/ nut
- Heat treated and silver zinc plated

POWER WHEEL 6"

