

High Security Industrial/Government Key Vault

Recessed Mount
with Face Flange



Surface Mount
with optional
Tamper Switch



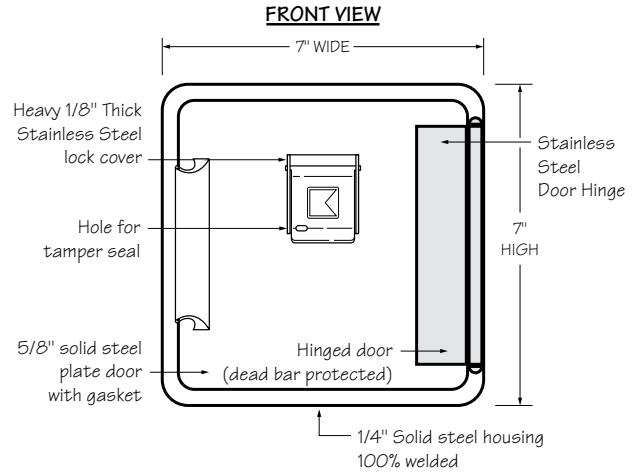
Knox-Vault™ key boxes are used in larger businesses, industrial properties, public buildings and universities. The heavy-duty, high security 4400 Series Knox-Vault protects and stores building keys, access cards and floor plans for emergency entry. The vault also provides secure storage for other internal and external applications.

Features and Benefits

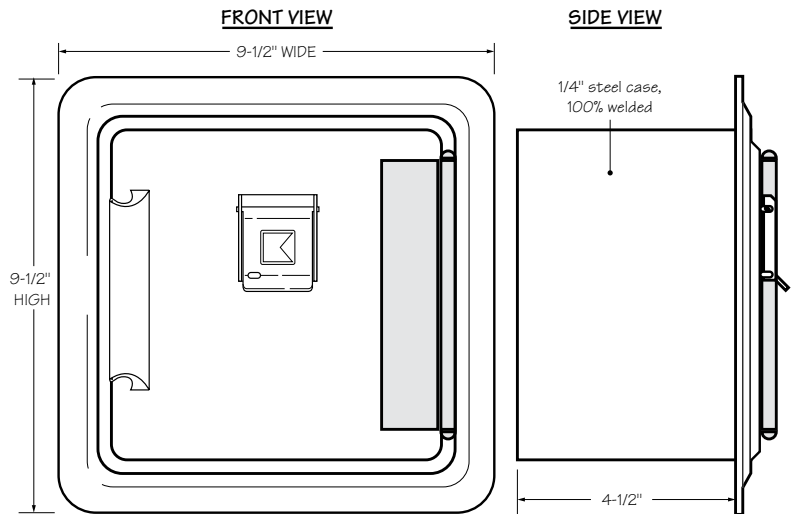
- Holds up to 50 keys in the large interior compartment
- Ensures high security with UL® Listed Medeco lock(s)
- Includes Knox-Coat® that is four times better than standard powder coat
- Resists moist conditions with a weather resistant door gasket
- Colors: Black, Dark Bronze or Aluminum
- Weight: Surface mount - 28 lbs.
Recessed mount - 29 lbs.

Options

- Alarm tamper switches (UL Listed)
- Additional rust and corrosion protection (Aluminization)
- Recessed Mounting Kit (RMK) for recessed models only
- Custom vault depth available
- Dual lock configuration
- Inside switch for use on electrical doors, gates and other electrical equipment



4400 Surface Mount



4400 Recessed Mount

Ordering Specifications

To insure procurement and delivery of the 4400 Series Knox-Vault, it is suggested that the following specification paragraph be used:

KNOX-VAULT surface/recessed mount, with/without UL Listed tamper switches. 1/4" plate steel housing, 5/8" thick steel door with interior gasket seal and stainless steel hinge. Vault and lock UL Listed. Lock has 1/8" thick stainless steel dust cover with tamper seal mounting capability. Vault has anti-theft re-locking mechanism with drill resistant hard-plate lock protector.

Exterior Dimensions: Surface mount - 7"H x 7"W x 5"D
Recessed mount flange - 9 1/2"H x 9 1/2"W

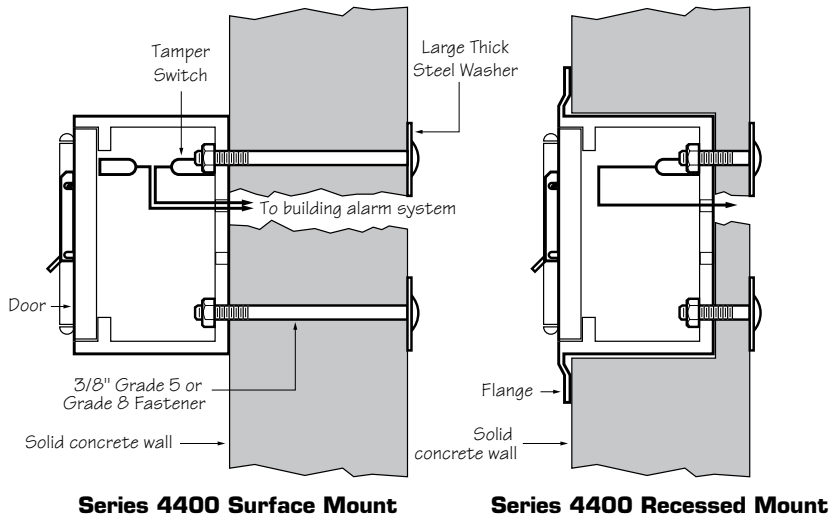
Lock: UL Listed. Double-action rotating tumblers and hardened steel pins accessed by a biased cut key.

Finish: Knox-Coat® proprietary finishing process
Finish Color - Black, Dark Bronze or Aluminum

P/N: 4400 Series Knox-Vault (mfr's cat. ID)

Mfr's Name: **KNOX COMPANY**

**Suggested minimum mounting height
6 feet above ground**



Recessed Mounting Kit

The 4400 Recessed Mounting Kit (RMK) is used for recessed models only. It contains a shell housing and mounting hardware to be cast-in-place in new concrete or masonry construction. After construction is completed, the Knox-Vault mounts inside the recessed shell housing. The RMK may only be used in new concrete or masonry construction.

Installation In Cast Concrete

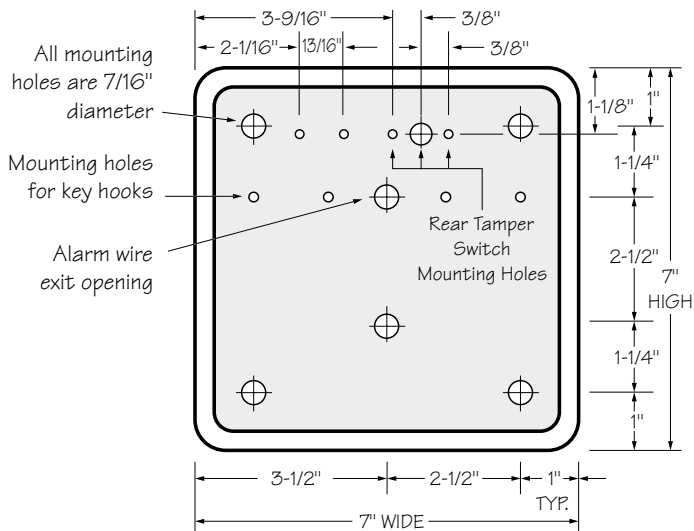
The optional Recessed Mounting Kit is for use in new concrete or masonry construction only. The kit includes a shell housing and mounting hardware to be cast-in-place. The KNOX-VAULT is mounted into the shell housing after construction is completed.

Rough-In Dimensions

8 1/2"H x 8 1/2"W x 7"D

IMPORTANT: Care should be taken to insure that the front of the RMK shell housing, including the cover plate and screw heads, is flush with the finish wall. The RMK must be plumbed to insure vertical alignment of the vault.

INSIDE VIEW



Attention: KNOX-VAULT™ is a very strong device that **MUST** be mounted properly to ensure maximum security and resist physical attack.

Knox® Rapid Entry System

The Knox Company manufactures a complete line of high security products including Knox-Box key boxes, key vaults, cabinets, key switches, padlocks, locking FDC caps, plugs and electronic master key security systems. For more information or technical assistance, please call Customer Service at 1-800-552-5669.

Recessed Mounting Using Recessed Mounting Kit (RMK)

